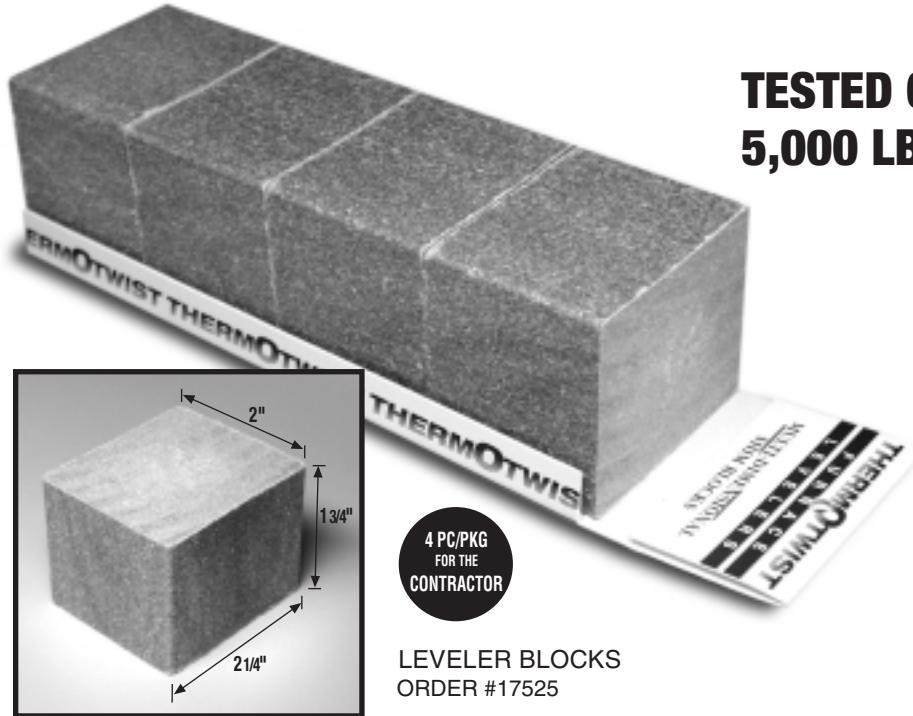


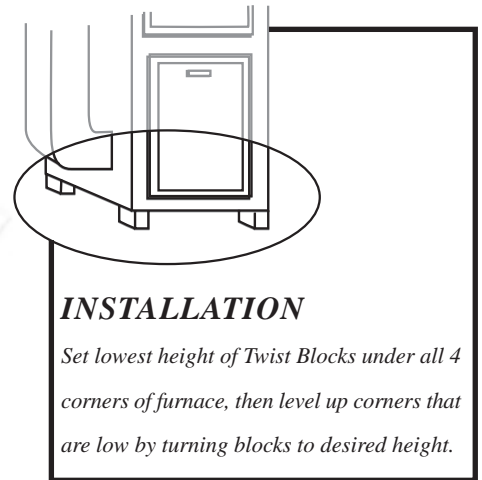
THERMO LEVELERS™

BETTER THAN BRICKS!

LEVEL FURNACES, ELECTRIC HEATERS, AIR CONDITIONERS OR ANY OTHER TYPES OF HOME OR INDUSTRIAL EQUIPMENT



**TESTED CRUSHING STRENGTH
5,000 LBS. PER BLOCK**



MULTI-DIMENSIONAL LEVELING BLOCKS

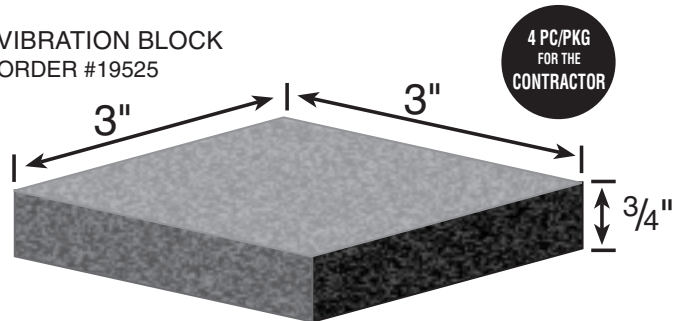
- Lightweight
- Water and insect resistant
- Made from recycled wood composite that won't chip, crack, split, or rot
- Raises furnace off floor for easier cleaning
- Stops moisture and equipment rusting
- Won't conduct cold



Made from Recycled Products

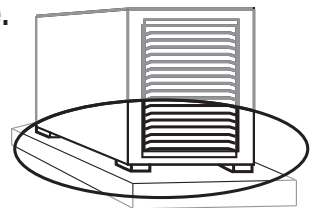
PRODUCT	ORDER #	SIZE	PKS/BOX	CRUSH STRENGTH
LEVELER BLOCKS	17525	1.75" X 2" X 2.25"	25	20,000 lbs / pack
VIBRATION BLOCKS	19525	3/4" X 3" X 3"	25	500 lbs / pack

VIBRATION BLOCK
ORDER #19525



VIBRATION BLOCKS

- Perfect for residential, commercial and industrial use.
- Shim furnaces and condenser units—vibration-free!
- Made from PURE polymer that won't chip, crack, split or rot
- Softer than LEVELER BLOCKS



THERMO MANUFACTURING INC.

3709 COLUMBUS ROAD NE CANTON, OHIO 44705

US & CANADA TOLL FREE PHONE 888-678-3709 US & CANADA TOLL FREE FAX 888-678-8711

www.ThermoPan.com

Lit #031002